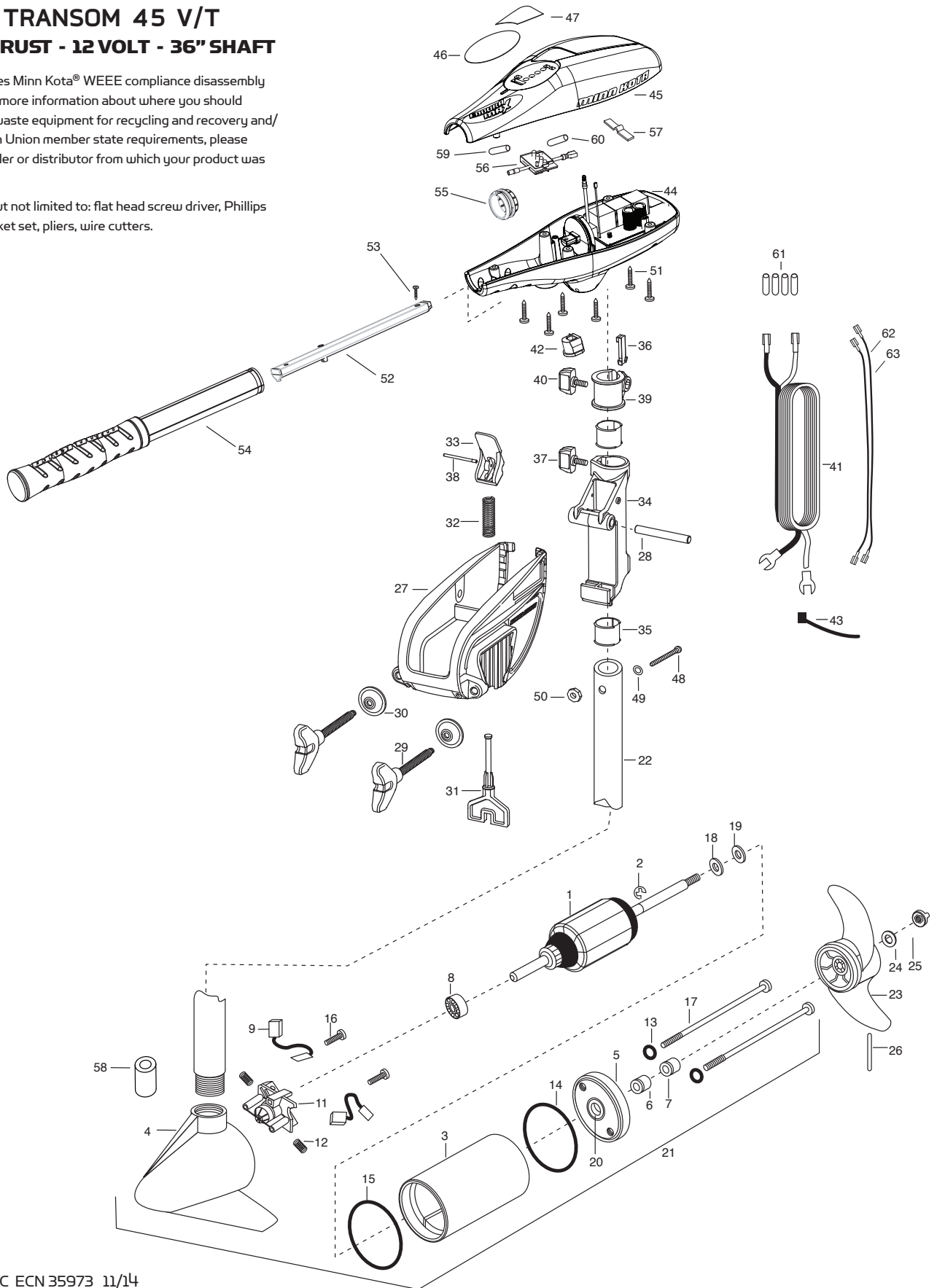


# PARTS DIAGRAM

## RIPTIDE TRANSOM 45 V/T 45 LBS THRUST - 12 VOLT - 36" SHAFT

This page provides Minn Kota® WEEE compliance disassembly instructions. For more information about where you should dispose of your waste equipment for recycling and recovery and/or your European Union member state requirements, please contact your dealer or distributor from which your product was purchased.

Tools required, but not limited to: flat head screw driver, Phillips screw driver, socket set, pliers, wire cutters.



# PARTS LIST

## RIPTIDE TRANSOM 45 V/T 45 LBS THRUST - 12 VOLT - 36" SHAFT

ITEM	QTY	PART NUMBER	DESCRIPTION
1	1	2-100-202	ARMATURE ASSEMBLY 12V 3.25
2	1	788-015	RETAINING RING
3	1	2-200-379	HOUSING ASSEMBLY CENTER 3.25 SW
4	1	421-332	BRUSH END HOUSING ASSEMBLY 3.25
5	1	2-400-328	PLAIN END HOUSING ASSEMBLY 3.25
6	1	880-003	SEAL
7	1	880-006	SEAL W/SHIELD
8	1	140-010	BALL BEARING
9	2	188-052	BRUSH ASSEMBLY
11	1	738-030	BRUSH PLATE W/HOLDER 3.25
12	2	975-032	COMPRESSION SPRING
■	1	2883460	SEAL AND O-RING KIT
13	2	701-007	O-RING -- THRU BOLT
14	1	701-039	O-RING
15	1	701-041	O-RING
16	2	830-001	SCREW -- SELF THREAD #8-32X1.75
17	2	830-078	THRU BOLT #8-32X8.96
18	1	990-067	WASHER -- STEEL THRUST
19	1	990-070	WASHER -- NYLATRON
20	1	144-049	FLANGE BEARING (SERVICE ONLY)
21	1	2069290	MOTOR ASSEMBLY 12 V 3.25 SW
22	1	2002021	36" COMPOSITE TUBE
■	1	1378121	PROPELLER KIT (INCLUDES 28-31)
23	1	2061122	PROPELLER 3.25 HUB DIA
24	1	2151726	WASHER -- 5/16 STD SS
25	1	2198400	ZINC ANODE
26	1	2092600	DRIVE PIN
■	1	2771816	BRACKET & HINGE ASSEMBLY (INCLUDES 27-38)
■	1	2771913	BRACKET ASSEMBLY (INCLUDES 27, 29, 30)
*27	1	2061910	BRACKET
28	1	2060511	HINGE PIN
*29	2	2061301	SCREW -- CLAMP
*30	2	2331700	WASHER -- CLAMP SCREW

ITEM	QTY	PART NUMBER	DESCRIPTION
31	1	2063605	PLASTIC T-BAR
32	1	2062706	T-BAR SPRING
33	1	2067201	TILT BLACK LEVER
34	1	2061810	PLASTIC HINGE
35	2	2037301	HINGE BUSHING
36	1	2062800	SNAP-IN TENSION BLOCK
37	1	2011386	TENSION KNOB SCREW
38	1	2060516	TILT LEVER PIN
39	1	2061520	DEPTH COLLAR
40	1	2011366	COLLAR SCREW
41	1	2050609	LEADWIRE
42	1	2062905	STRAIN RELIEF
43	1	2026300	TIE WRAP
44	1	2994041	CONTROL BOX ASSEMBLY WHITE
45	1	2060226	CONTROL BOX COVER WHITE
46	1	2095633	DECAL COVER RIPTIDE 45 VS/T
47	1	2095636	COVER DECAL, RT/VS/T
48	1	2033403	SCREW-10-24 X 1-3/4, SS
49	1	2061720	WASHER-NYLON, 3/8 OD, 3/16 ID
50	1	2333101	NUT #10-24 HEX, SS
51	6	2372100	SCREW-8-18 X 5/8, SS [6.EA]
52	1	2990924	INNER HANDLE ASSEMBLY
53	1	2012104	SCREW-#6 X 1/2" SS
54	1	2990952	OUTER HANDLE ASSEMBLY
55	1	2060009	FRONT BEARING
56	1	2074080	BATTERY METER 12V
57	1	2302742	SPRING DETENT, OFF
58	1	2307312	FERRITE BEAD
59	1	2305415	SHRINK TUBE - .472 ID X 2.25"
60	1	2305410	SHRINK TUBE - .315 OD X 2.25"
61	1	2305403	SHRINK TUBE - .500 ID 1.0" ADHSV
62	1	640-002	BLACK LEADWIRE
63	1	640-102	BLACK LEADWIRE

■ THIS ITEM IS PART OF AN ASSEMBLY.

\*THIS ITEM IS PART OF A KIT AND ONLY LISTED FOR VIEWING PURPOSES.